

# SURFACE PRESSURE CMH

surface pump multistage



clean water



domestic use

**Max Head** 21 - 88m

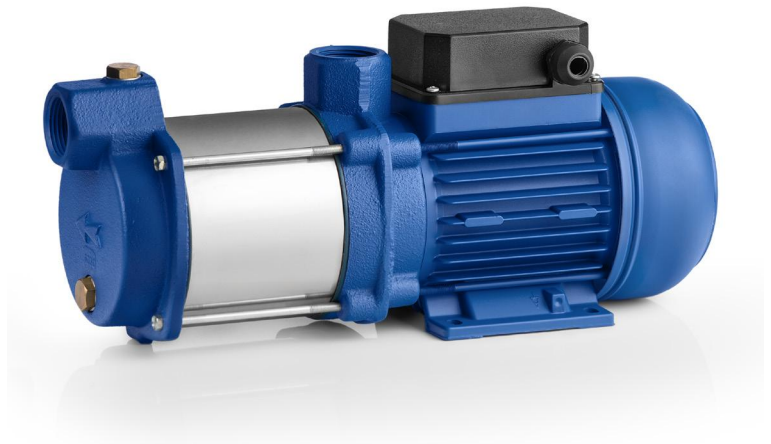
**Max Flow** 3.9 - 22m<sup>3</sup>/h

**Motor Power** 0.37 - 3Kw

**Discharge size** G1- 1½ F

DN 1" - **CMH 10, CMH 20**

DN 1" ¼ - CMH 30, CMH 40



## KEY ADVANTAGES OF A CMH PUMP

### APPLICATION

CMH pumps are suitable for use with clean water. These pumps are widely used in domestic applications such as the distribution of water in combination with small and medium sized pressure tanks, and for the irrigation of gardens and orchards, etc.

### INSTALLATION

The pump should be installed in an enclosed environment or sheltered from inclement weather.

### MATERIALS

Pump body and pusher in cast iron. Exterior shell and impeller in stainless steel (AISI304). Shaft in stainless steel (AISI 416). Diffusor in noryl with fiber-glass.

### PUMPED LIQUID

Clean water.  
Max. liquid temperature: 35°C.

### MOTOR

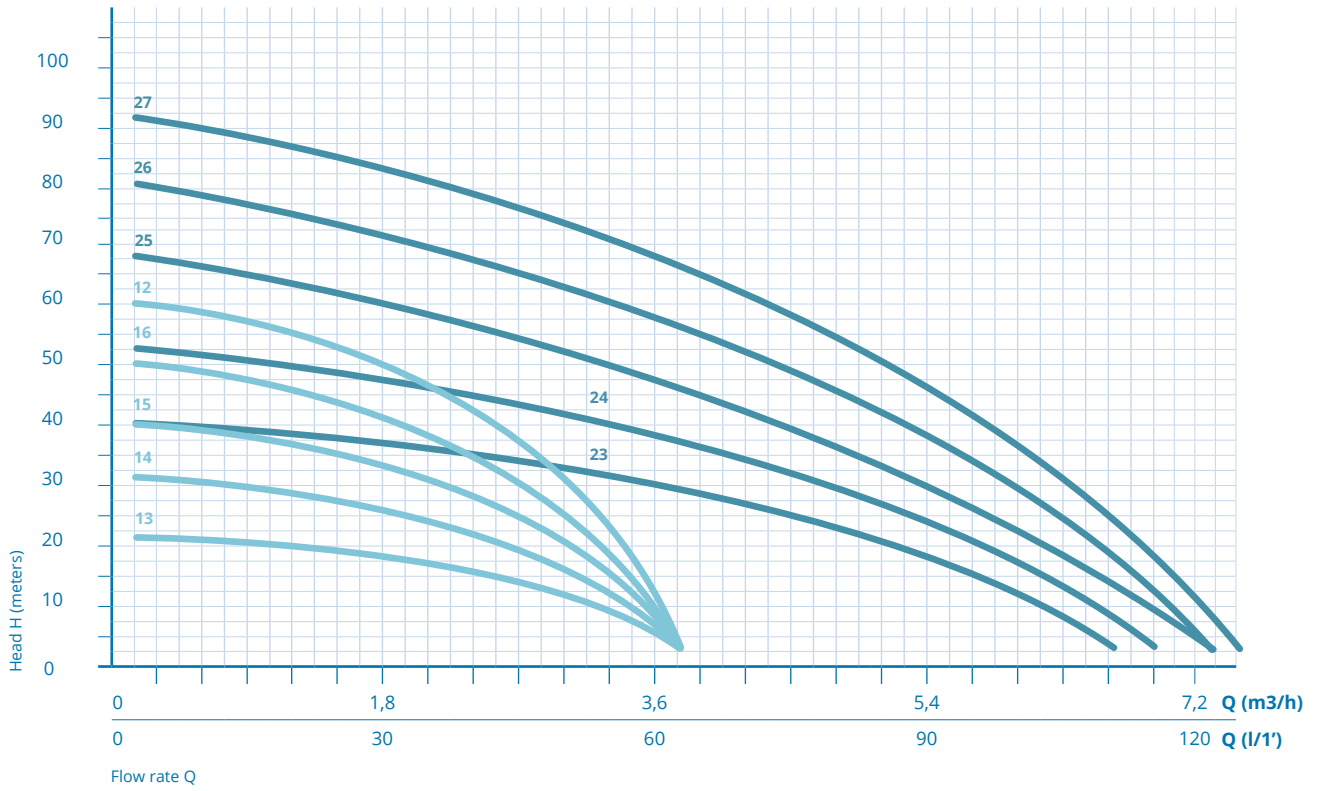
Externally ventilated. Mechanical seal (carbon-graphite). Protection IP44. Class F insulation.

### FEATURES

Max. starts/hour: 30

# CHARACTERISTIC CURVES AND PERFORMANCE DATA

50Hz

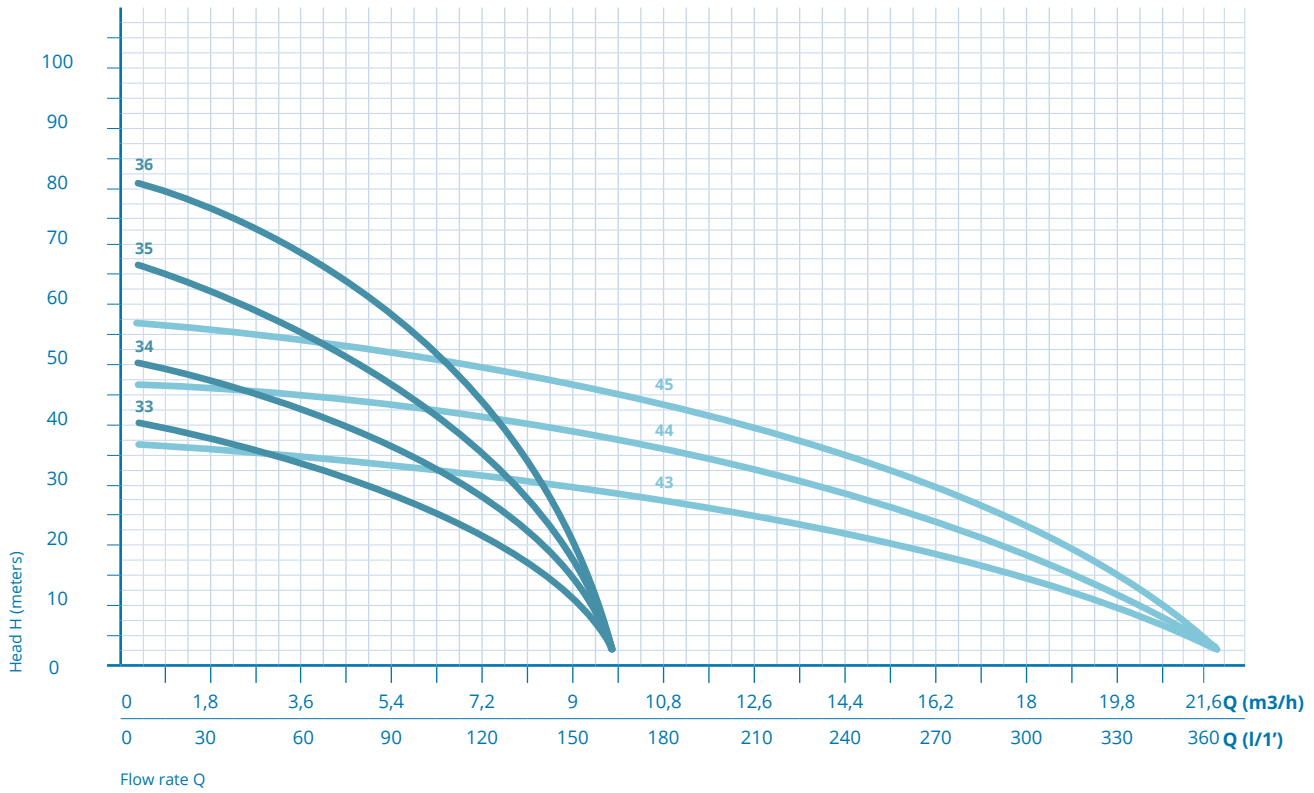


TYPE	POWER	MOTOR			PORT	Q																	
		1~	3~	DN		Q m³/h	0	0,6	1,2	1,8	2,4	3	4,5	5,7	9	10,5	12	15	18	19,8			
	kW	A	μF	A		l/min	0	10	20	30	40	50	75	95	150	175	200	250	300	330			
<b>CMH 12.37</b>	0,37	2,2	10	1,1	1"		21	20	18	15	12	7											
<b>CMH 13.37</b>		2,6	12	1,2		32	30	27	23	18	11												
<b>CMH 14.60</b>	0,6	3,45	14	1,4		40	37	33	28	22	14												
<b>CMH 15.60</b>		3,9	18	1,6		50	46	41	34	26	17												
<b>CMH 16.90</b>		4,9	20	1,9		60	55	49	41	31	20												
<b>CMH 23.75</b>	0,75	4,2	16	1,8	1"		38	37	36	35	33	29	19	10									
<b>CMH 24.80</b>	0,8	5,4	16	2,3		52	51	48	46	43	39	27	15										
<b>CMH 25.120</b>	1,2	7,2	20	2,8		67	65,5	63	59	56	51	39	24										
<b>CMH 26.120</b>		7,8	25	3,5		78	76,5	74	71	67	62	46	29										
<b>CMH 27.150</b>	1,5	8,6	25	3,8		91	89	86	84	80	75	59	39										

SURFACE PRESSURE  
CMH

# CHARACTERISTIC CURVES AND PERFORMANCE DATA

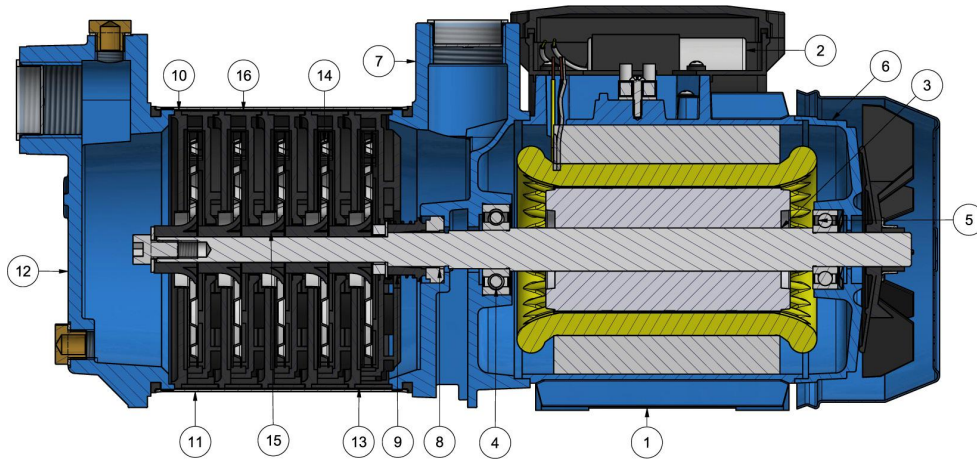
50 Hz



TYPE	POWER kW	MOTOR			PORT DN	Flow rate Q																
		1~ A	μF	3~ A		Q m³/h	0	0,6	1,2	1,8	2,4	3	4,5	5,7	9	10,5	12	15	18	19,8		
CMH 33.90	0,9	7	25	3,3	1"¼	40	39,5	39	38	37	36	32	28	13,5	4,5							
CMH 34.110	1,1	9	35	3,5		50	49,5	49	48,5	48	47	43	39	20	7,5							
CMH 35.150	1,5	11,8	40	4,2		66	65,5	65	64	63	62	57	52	28	11							
CMH 36.120	2,2	12,4	50	5		81	80,5	79,5	78	76	75	69	63	36	14,5							
						H - meters																
CMH 43.220	2,2	11	40	3,6	1"½	36	35,5	35	34,5	34	33	32	30	26	24	22	16	10	6			
CMH 44.220		12	40	4,2		46	45,5	45	44,5	44	43	42	40	35	33	30	24	15	9			
CMH 45.300.3		-	-	6		57	56,5	56	55,5	55	54	53	50	44	41	38	30	22	13			

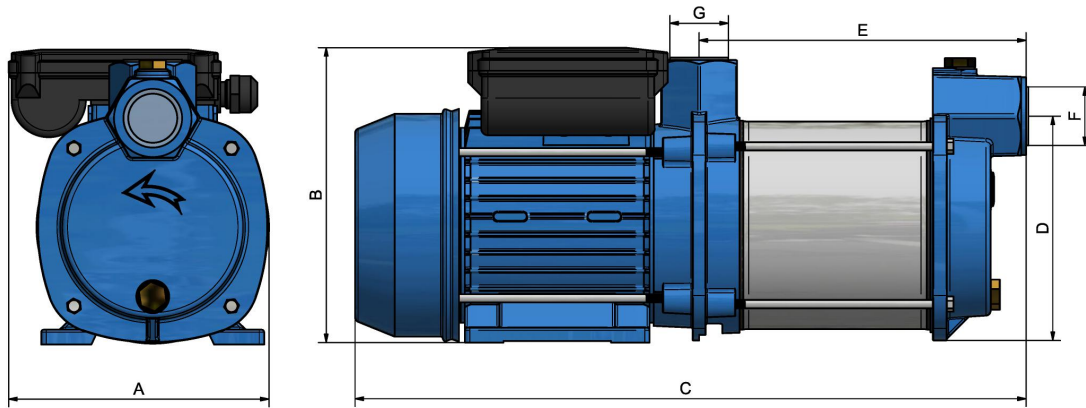
SURFACE PRESSURE  
**CMH**

## COMPONENTS AND MATERIALS



POS	COMPONENT	MATERIALS
1	Stator on Casing	-
2	Capacitor	-
3	Rotor / Shaft	Steel and Aluminium / Stainless Steel
4	Bearing	Steel
5	Bearing	Steel
6	Cover	Aluminium
7	Body Impulse	Iron Cast
8	Mechanical Seal Fixe	Nitrile Rubber / Ceramics
9	Mechanical Seal Mobile	Graphite Steel
10	Diffuser Cover	Noryl
11	Motor Casing	Stainless Steel
12	Aspiration Body	Iron Cast
13	Initial Diffuser	Noryl
14	Impeller	Stainless Steel
15	Bushing Noryl for Impeller	Noryl
16	Diffuser Lid Welded	Noryl

## DIMENSIONS AND WEIGHT



TYPE	DIMENSIONS (mm)							WEIGHT	PALETTE
	A	B	C	D	E	F	G	Kg	Un
CMH 12.37			334		132			8,2	
CMH 13.37			352		150			8,3	
CMH 14.60	126	160	370	119	168	1"	1"	8,5	100
CMH 15.60			388		185			9,0	
CMH 16.90			405		203			9,2	
CMH 23.75			369		161			13,0	75
CMH 24.80			389		180			13,5	—
CMH 25.120	155	179	408	137	200	1"	1"	14,0	—
CMH 26.120			428		219			14,5	66
CMH 27.150			447		239			16,0	
CMH 33.90			441		203			17,0	45
CMH 34.110			453		216			17,5	—
CMH 35.150	191	212	478	160	241	1 1/4"	1 1/4"	19,0	40
CMH 36.120			502		265			20,0	
CMH 43.220			488		243			20	40
CMH 44.220	193	212	527	155	283	1 1/2"	1 1/2"	22	35
CMH 45.300.3	176	215	602	168	323			26	40