

SEWAGE MC

submersible pump for
sewage water



waste water



industrial use

Max Head 16 - 19m

Max Flow 57 - 60m³/h

Motor Power 2.2 - 3Kw

Discharge size 50 - 65



KEY ADVANTAGES OF A MC PUMP

APPLICATION

The electric pumps "MC" are particularly suitable for treatment of wastewater, industrial process water and raw sewage does not treated in municipal applications, public and industrial. The single-channel impeller permits passage of solids in the pump MC50 up to 50mm and at the pump MC65 up to 65mm, reducing the risk of clogging.

INSTALLATION

Permanent or transportable.
Single-Channel Impeller.

MATERIALS

Double seals, lip seals and reinforced SIC-SIC mechanical seal. Motor casing, pump body and open impeller in cast iron, 420 stainless steel shaft.

PUMPED LIQUID

Pumping of sewage and industrial water.
Max. liquid temperature: 35°C.

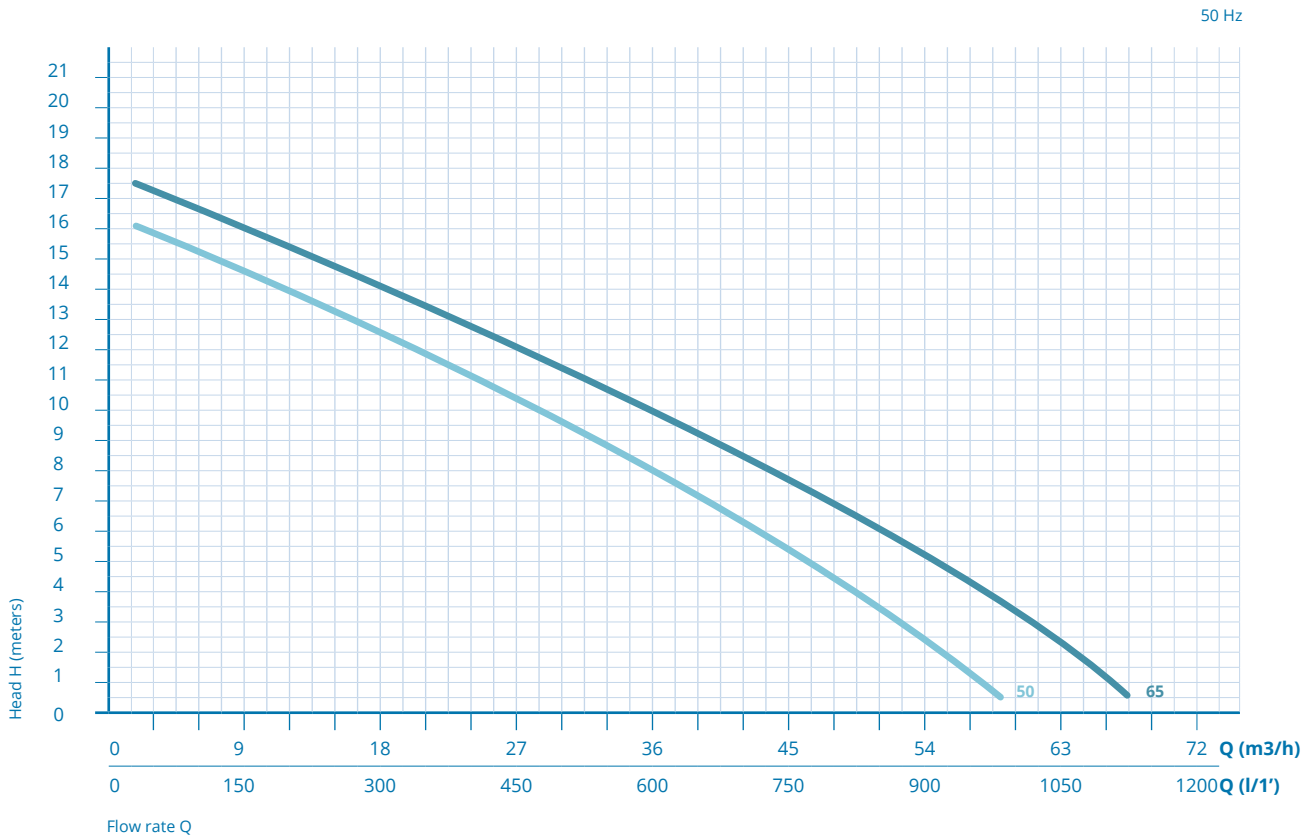
MOTOR

Fully submersible, pressure tight electric motor. Stainless steel motor- and pump housing. Insulation class F. Motor protection IP 68. Thermal sensors imbedded in the motor winding.

FEATURES

Power cable: 20 m neoprene.
Immersion depth of 10 m.
Ideal for installation with guide rail.

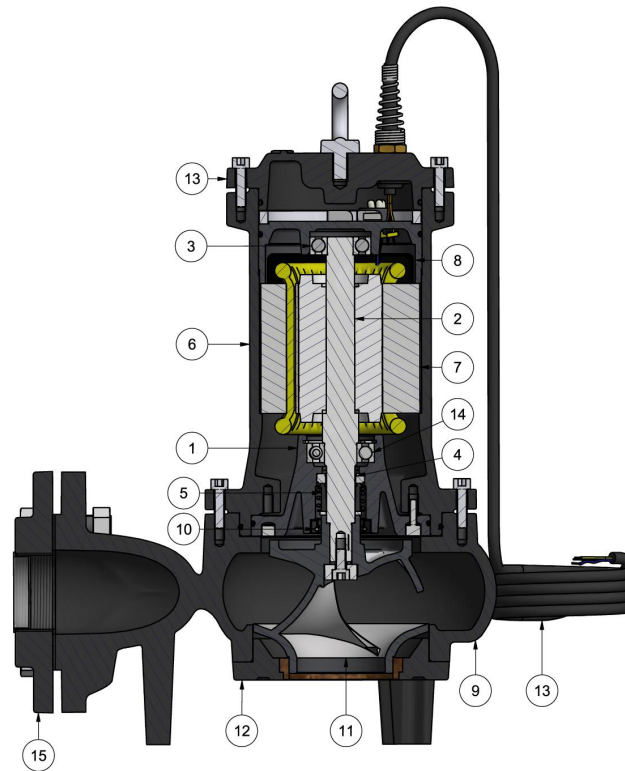
CHARACTERISTIC CURVES AND PERFORMANCE DATA



SEWAGE
MC

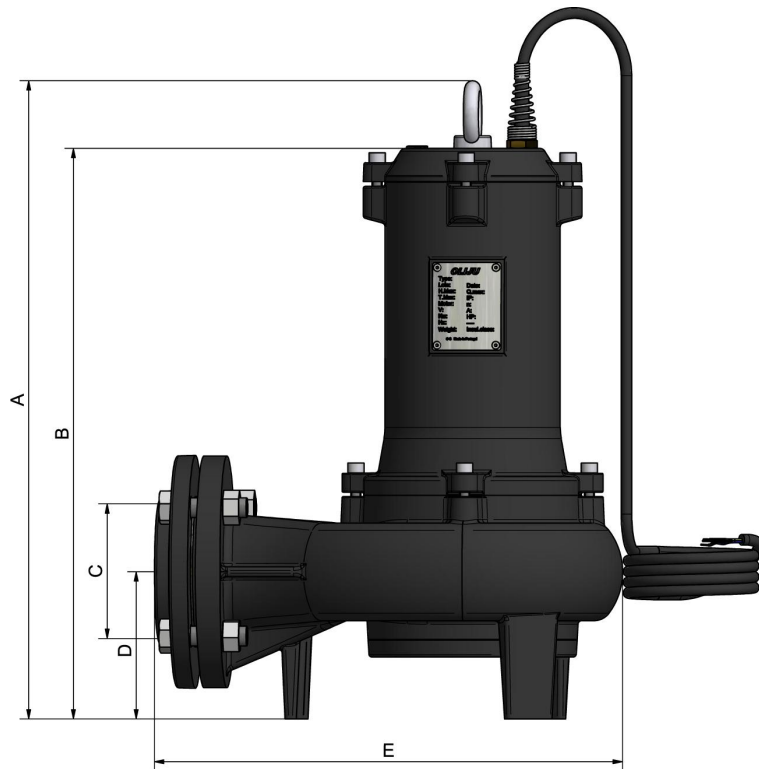
TYPE	POWER kW	MOTOR		PORT DN	Q m ³ /h	0	9	15	18	21	24	30	36	42	48	54	60
		1~ A	μF			0	150	250	300	350	400	500	600	700	800	900	##
MC 50.220	2,2	4,2	-	50	H - meters	16	14,5	13,4	12,8	12,2	11,5	10	8,4	6,6	4,7	2,6	0,3
MC 65.300	3,0	4,8	-	65		19	17	15,7	15	14,2	13,5	12	10,3	8,6	6,8	4,9	2,9

COMPONENTS AND MATERIALS



POS	COMPONENT	MATERIALS
1	Rotor Support	Cast Iron
2	Rotor / Shaft	Steel and Aluminium / Stainless Steel
3	Bearing	Steel
4	Mechanical Seal Fixe	Nitrile Rubber / Ceramics
5	Mechanical Seal Mobile	Graphite Steel
6	Motor Casing	Cast Iron
7	Stator	-
8	Top Engine Support	Cast Iron
9	Body Pump	Cast Iron
10	Lip Seals	Nitrile Rubber
11	Impeller	Cast Iron
12	Cover Impeller	Cast Iron
13	Power Cable	Neoprene
14	Bearing	Steel
15	Flange 2" - 2 ½	Cast Iron

DIMENSIONS AND WEIGHT



SEWAGE
MC

TYPE	DIMENSIONS (mm)					WEIGHT Kg	PALETTE Un
	A	B	ØC	D	E		
MC 50.220	510	456	DN 50	118	372	45	75
MC 65.300			DN 65				