

# SEWAGE VORTEX SV

submersible pump for  
sewage water



waste water



industrial use

**Max Head** 12 - 15m

**Max Flow** 16 - 70m<sup>3</sup>/h

**Motor Power** 0.75 - 4Kw

**Discharge size** 40 - 80



## KEY ADVANTAGES OF A VORTEX SV PUMP

### APPLICATION

Vortex SV series pumps are suitable for pumping drainage water and waste water. With 40 up to 80 mm spherical clearance. They are used for various applications in public and private sector, trade and industry.

### INSTALLATION

Permanent or transportable. Model with float switch control for automatic pump operation, depending on liquid level in the sump.

### MATERIALS

Double seals, lip seals and reinforced SIC-SIC mechanical seal. Motor casing, pump body and open impeller in cast iron, 420 stainless steel shaft.

### PUMPED LIQUID

Clear water and drainage water, sewage containing soft solids. Max. liquid temperature: 35°C.

### MOTOR

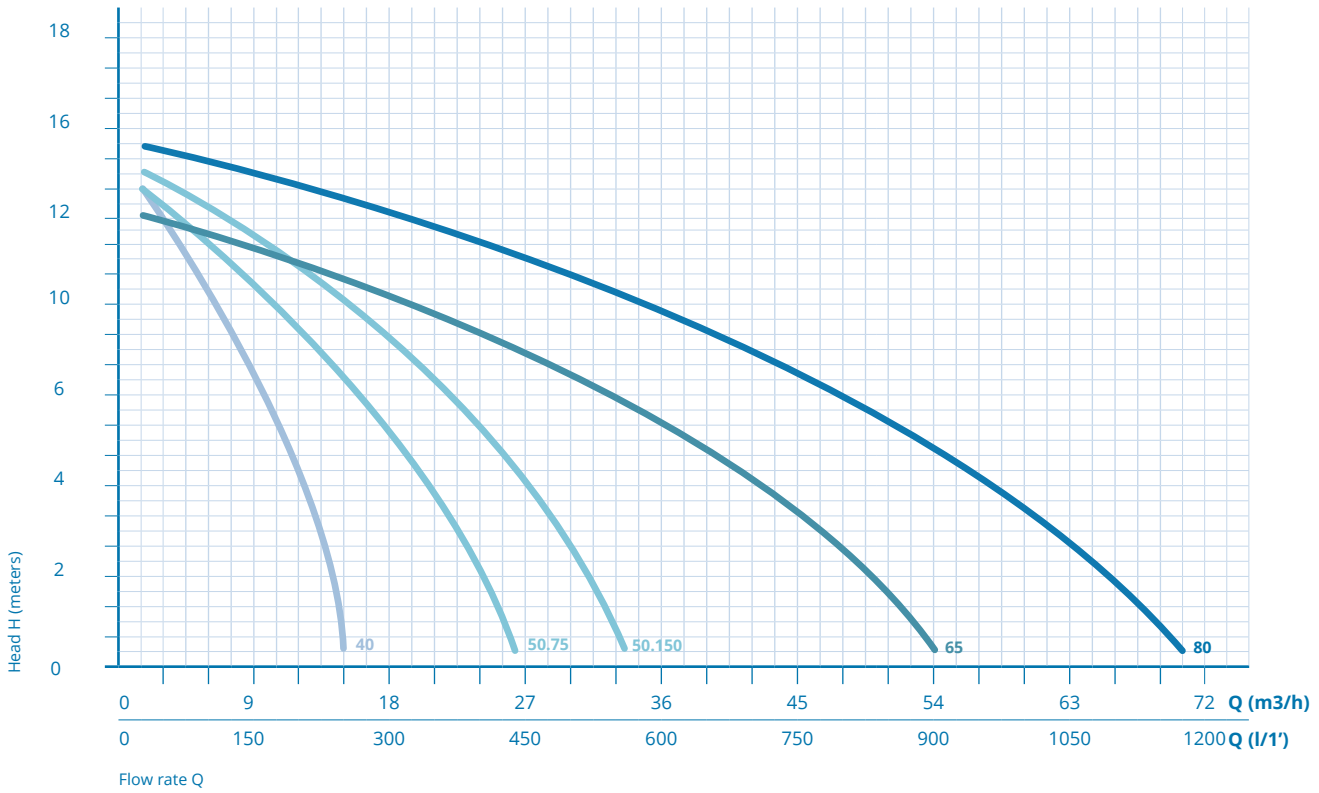
Fully submersible, pressure tight electric motor. Stainless steel motor- and pump housing. Insulation class F. Motor protection IP 68. Thermal sensors imbedded in the motor winding.

### FEATURES

Power cable: 10 m neoprene.  
Immersion depth of 10 m.  
Ideal for installation with guide rail.

# CHARACTERISTIC CURVES AND PERFORMANCE DATA

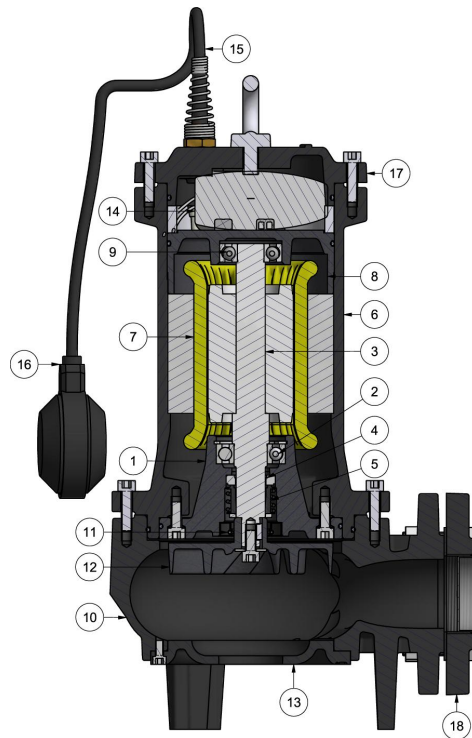
50 Hz



SEWAGE  
VORTEX SV

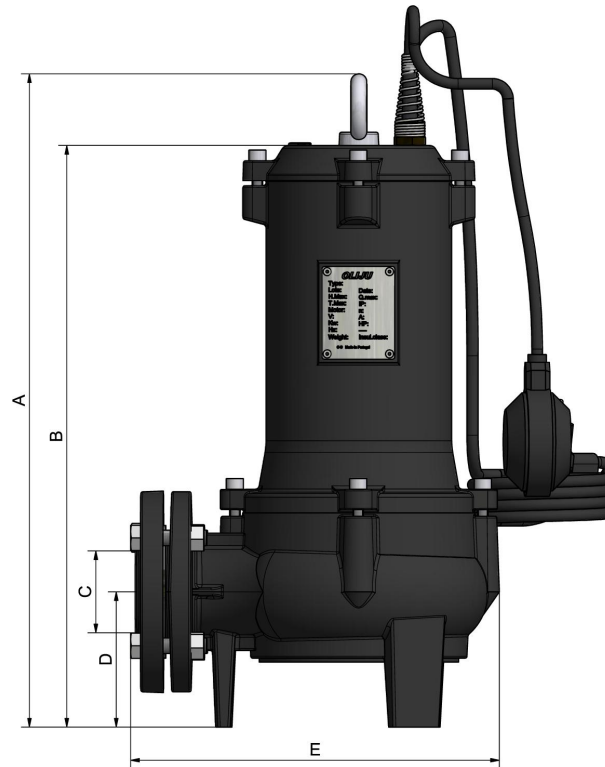
TYPE	POWER kW	MOTOR		PORT DN	Q m³/h	Flow rate Q															
		1~ A	3~ μF			A	0	6	9	12	15	18	21	24	27	30	36	48	54	66	
SV 40.75	0,75	4,8	20	1,4	40		13	10	7,8	5,3	2,4										
SV 50.75		7,2		2,8	50		13	10,9	9,6	8,2	6,7	5,1	3,4	1,5							
SV 50.150	1,5	8,6	40	3	50	H - meters	14	12,9	12,1	11,1	9,8	8,4	6,7	4,8	2,8	0,5					
SV 65.300	3	-	-	4,8	65		12	11,8	11,6	11,3	10,9	10,5	10,1	9,5	8,9	8,3	6,7	2,9	0,6		
SV 80.400	4	-	-	8,8	80		15	14,7	14,4	14,2	13,9	13,5	13,1	12,7	12,2	11,7	10,6	7,9	6,3	2,6	

## COMPONENTS AND MATERIALS



POS	COMPONENT	MATERIALS
1	Rotor Support	Cast Iron
2	Bearing	Steel
3	Rotor / Shaft	Steel and Aluminium / Stainless Steel
4	Mechanical Seal Fixe	Nitrile Rubber / Ceramics
5	Mechanical Seal Mobile	Graphite Steel
6	Motor Casing	Cast Iron
7	Stator	-
8	Top Engine Support	Cast Iron
9	Bearing	Steel
10	Body Pump	Cast Iron
11	Lip Seals	Nitrile Rubber
12	Impeller	Cast Iron
13	Bottom Cover	Cast Iron
14	Condenser	-
15	Power Cable	Neoprene
16	Float	Neoprene / Plastic
17	Top Cover	Cast Iron
18	Flange	Cast Iron

## DIMENSIONS AND WEIGHT



SEWAGE  
VORTEX SV

TYPE	DIMENSIONS (mm)					WEIGHT Kg
	A	B	C	D	E	
SV 40.75	443	391	1"½	84	226	22
SV 50.75	466	413	2"½	98	230	23
SV 50.150	492,5	438,5		102	278	34
SV 65.300	536	481	2"½	127	315	45
SV 80.400	598	548	3"	150,7	338	60